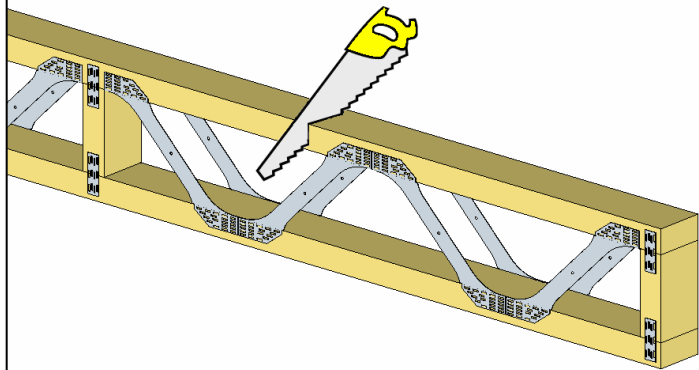
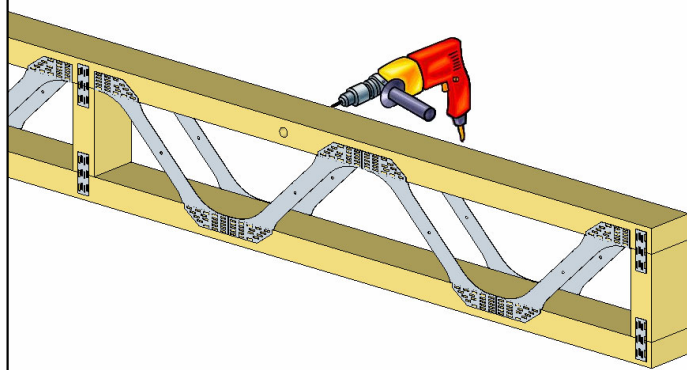


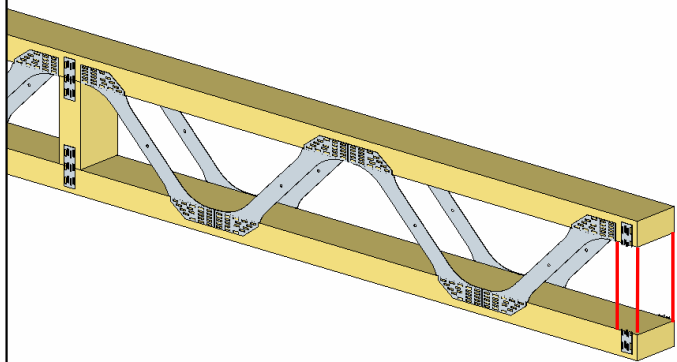
DO NOT CUT FLANGE



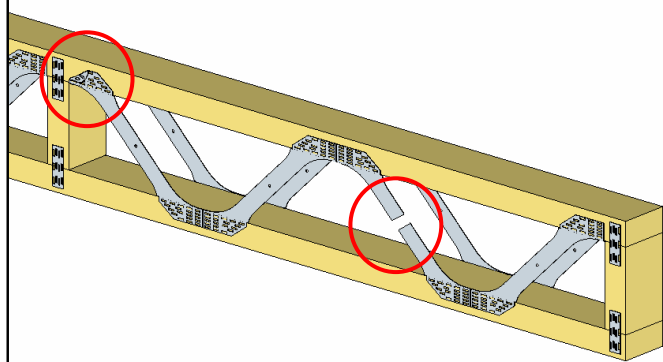
DO NOT DRILL FLANGE



DO NOT REMOVE COLUMNS

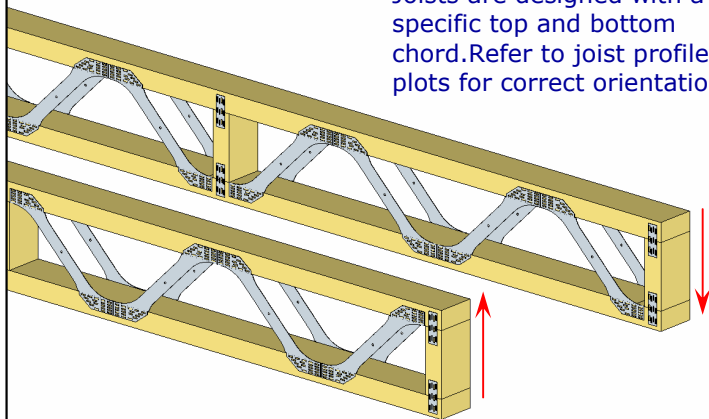


DO NOT DAMAGE WEBS



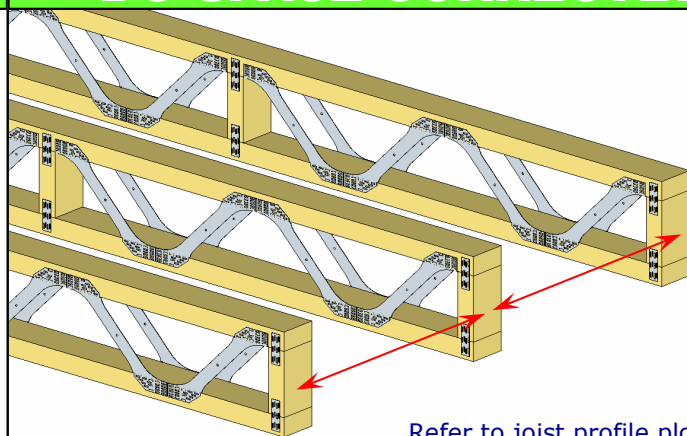
DO ORIENT CORRECTLY

Joists are designed with a specific top and bottom chord. Refer to joist profile plots for correct orientation.



DO SPACE CORRECTLY

Refer to joist profile plots for maximum joist spacing.



easi-joist®

Metal Web Floor System

Site Installation and Handling Guide - Timber Frame Buildings

To be used in conjunction with drawings and information supplied by the joist manufacturer.

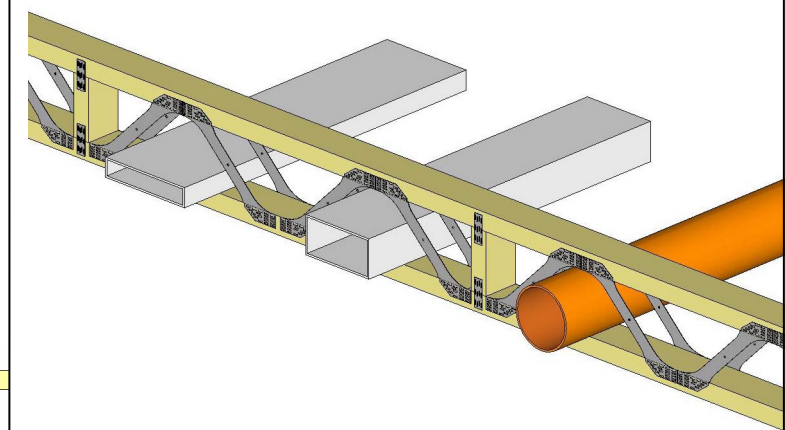
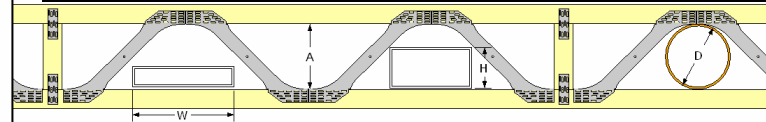
Services

Clearance for circular services

	WS200	WS250	WS300	WS400
A (mm)	125	160	210	323
D (mm)	100	150	200	280

Clearance for rectangular services

H (mm)	W (mm)	W (mm)	W (mm)	W (mm)
50	300	300	330	500
100	100	200	250	410
150	50	70	170	330
200			70	250
250				170
300				70



Safety Information:

All joists to be erected truly vertical, parallel and the correct way up. Refer to joist profiles on floor layout plan for correct joist orientation.

easi joists may not be notched, drilled or cut without the express permission of the manufacturer.

Joists are unstable until fully braced. Do not walk or place heavy loads on an unrestrained floor area.

Noggins, restraint straps, decking and strongbacks (where applicable) should be properly installed as specified by the designer before the floor system is used.

Where masonry hangers are used, ensure at least three courses of blockwork or equivalent have been laid and the mortar cured before the floor is used.

Observe health and safety regulations for manual lifting of heavy loads and working at height.

Handling and Storage:

Do not allow easi-joists to be exposed to prolonged heat or moisture.

Always store easi-joists upright on a flat surface or a set of bearers.

Avoid dropping easi-joists or subjecting them to heavy impacts.

Always lift easi-joists in an upright orientation.

Use protective gloves when manually handling easi-joists.

Loading:

easi-joists are designed in accordance with:

BS5268 — Structural Use of Timber
BS6399 — Loading of Buildings

Loading and joist spacing must not exceed that stated on the design layout drawings.

Wolf Systems Ltd © Copyright 2009
Version EJTFSG 0309.1

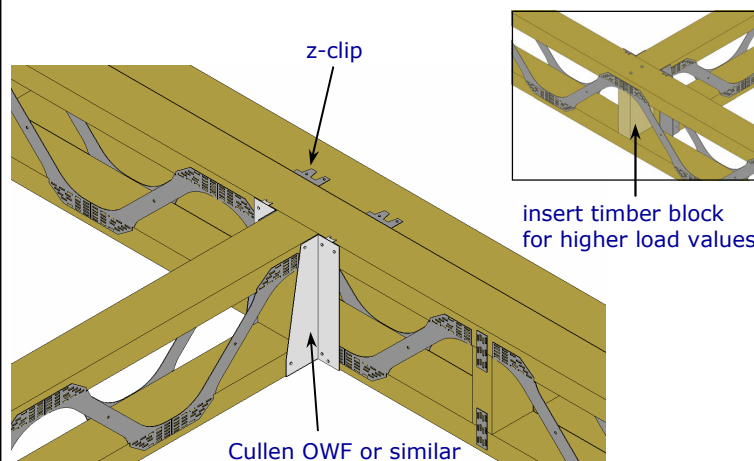
Supplied by:



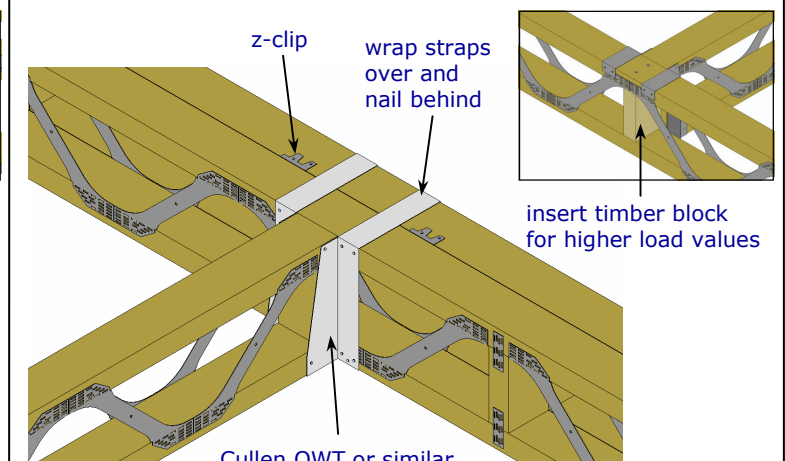
Wolf Systems Limited
Shilton Industrial Estate
Shilton, Coventry, CV7 9QL
T 0044 (0)2476 602 303
F 0044 (0)2476 602 243
E mail@wolfsystem.co.uk
www.wolfsystem.co.uk

The Constructive Partner

EJ1: Face Fix Hanger



EJ2: Strap Hanger



EJ3: Top Chord Support onto Steel

packers
wallplate
timber packer fixed to steel
continuous plasterboard noggin

EJ4a: Intermediate Support (onto stud wall)

studs positioned beneath joists
locate columns directly over support

EJT2: Bottom Chord Support with Restraint Noggins

top chord restraint noggins
header binder

EJT3: Bottom Chord Support with Continuous Restraint

continuous top chord restraint noggin
joist with web post on bottom chord

EJ5: Stair Opening with easi-joist

z-clip
easi-joist trimmer
Cullen OWF or similar (see EJ1)

EJ6: Stair Opening with Binder

OWF/OWT hanger to suit
top chord supported easi-joist
solid or composite timber binder

EJT4: Top Chord Support on Ring Beam

packers
top chord fixed to ring beam or header binder
ring beam
continuous ledger

EJT5: Top Chord Support

packers
top chord fixed to header binder
header binder

EJ7: Strongback

nail strongback to side of easi-joist column

EJ8: Strongback Lapping

strongbacks must both be fixed to 2 of the same easi joists

EJT6: General Arrangement for Timber Frame Construction

upper floor panel
upper floor sole plate
47x72mm easi-joist noggin
solid or composite timber rim board
sheathing
lower floor panel
adhesive bead
Plasterboard
12.5 mm (\leq 400 C/C)
15 mm ($>$ 400 C/C)
decking

EJ9: Strongback Splice

strongbacks butt together between joists
splice timber spans two joists

EJT1: Bottom Chord Support with Rim Board Closure

solid or composite timber rim board